

KITSAP MODULAR PLANTERS: FREESTANDING WALL Installation / Assembly Instructions



INCLUDED

- 3/8" dia. stainless bolts, nuts, and washers
- Wall sections (see shop drawings for details)

NOT PROVIDED

- 3/8" dia. stainless lag screws

TOOLS REQUIRED (not included)

- Level
- Pencil/Marker
- Cordless Drill
- Concrete Drill Bit for 3/8" dia. anchor
- 9/16" Socket & Open-End Wrench
- Tape Measure
- Waterproof sealant/adhesive (silicone)

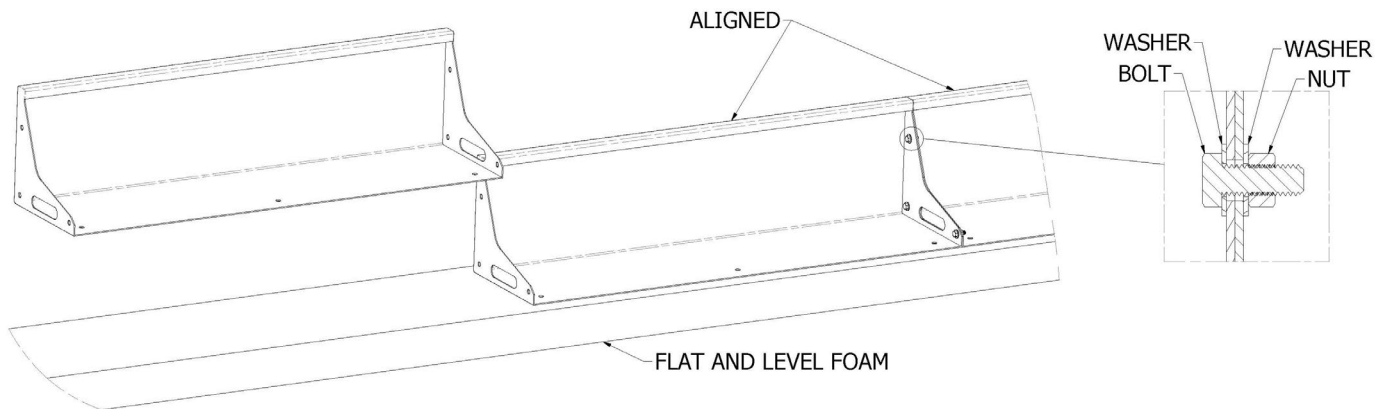
Preparation

Prior to installation, examine all boxes and packages for shipping damage and compare the piece count with your packing slip. DO NOT remove any item from the pallet(s), crate(s), or boxes that comes with the product until the time of installation unless there is evidence of damage to the packaging materials. It is recommended to place the complete pallet close to the planter installation site. Cover with a disposable tarp if inclement weather is expected.

Notes

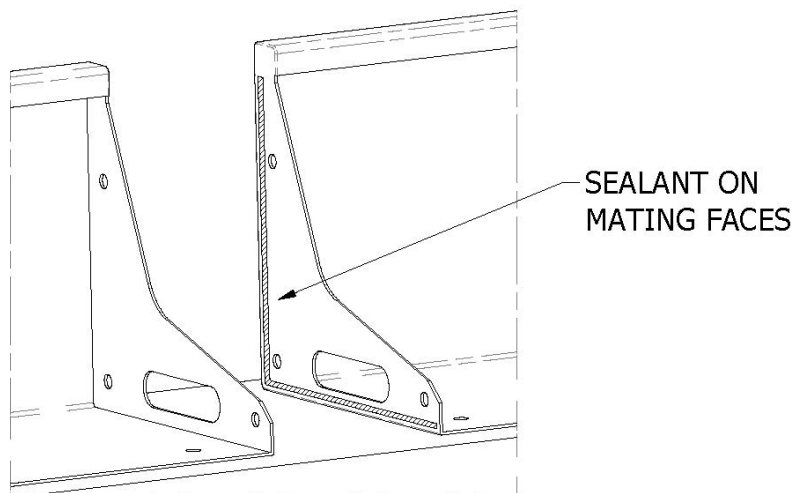
- Kitsap freestanding walls must be installed on a flat and level surface. Walls must be fully supported. Failure to do so will void the product warranty and could cause the product to fail once loaded.
- Footing must be level to +/-1/8" per linear foot and flat over the entire length of the wall assembly.
- Tournesol Siteworks is not responsible for footing installation. Footing recommendation details can be found in the footing addendum.
- Do not drag wall across concrete or other rough surfaces. This will result in damage to the painted finish.
- It is recommended to dry fit entire wall before securing to ensure proper fit up.

KITSAP MODULAR PLANTERS: FREESTANDING WALL Installation / Assembly Instructions



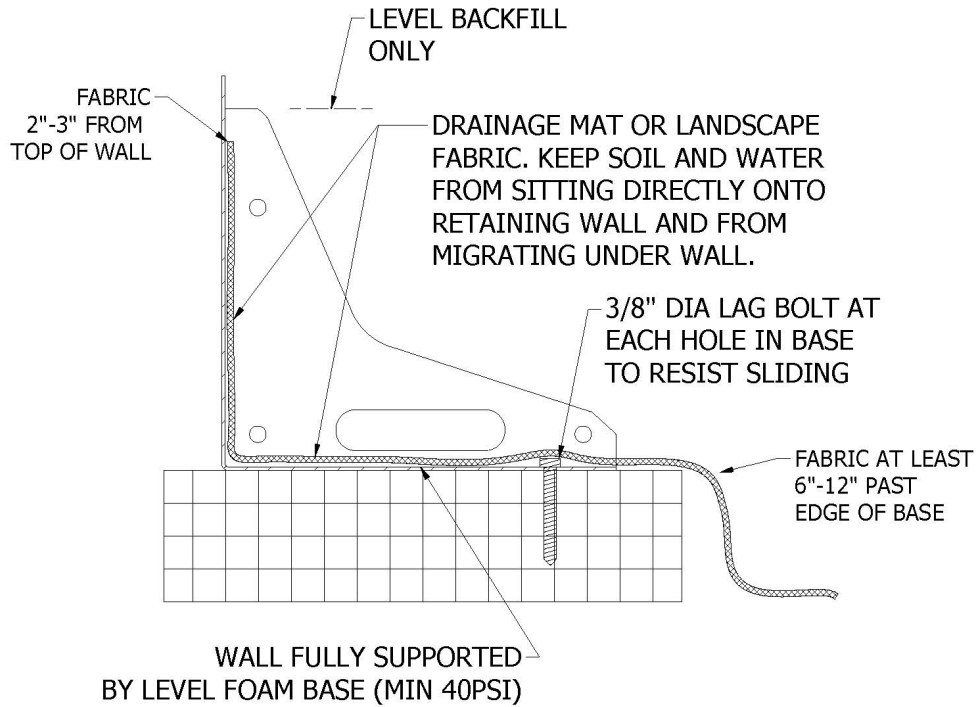
DRY FIT WALLS BEFORE SECURING SECTIONS TO ENSURE PROPER FIT UP.

1. Position walls into place on the approved foam footing. Ensure the front and top of the wall is aligned.
2. Shim foam as needed.
3. Join each section together, finger tight, at each vertical seam using provided hardware.
4. Check that the wall is located per the architect's specifications.
5. Unbolt each section and apply waterproof sealant (silicone or similar) to the outside of each mating surface before being placed.



6. Place each section and bolt them together at each gusset. Ensure all wall sections are aligned before moving to next section.
7. Once all wall sections are located, affix lag screws into foam.
Do not over tighten.

KITSAP MODULAR PLANTERS: FREESTANDING WALL Installation / Assembly Instructions



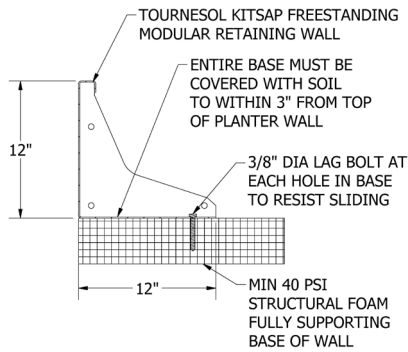
8. Apply drainage mat to the inside surface of all walls (recommended). Ensure material keeps soil from sitting directly onto wall surface. Ensure material keeps water and soil from migrating under wall base.

Tournesol Kitsap Freestanding Modular Planter Wall Base Support Requirement

- Details shown are required to ensure performance of the product.
- Tournesol is not responsible for movement of foam footing.
- Other mounting methods need to be reviewed by a professional engineer.
- See installation instructions for assembly information.

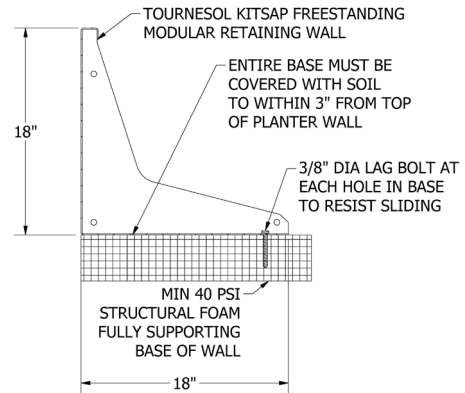
MOUNTING DETAIL FOR 12" TALL TOURNESOL KITSAP FREESTANDING WALL

- FOAM MUST BE LEVEL AND FLAT
- PER LINEAR FOOT LENGTH OF WALL
 - FOAM BY OTHERS



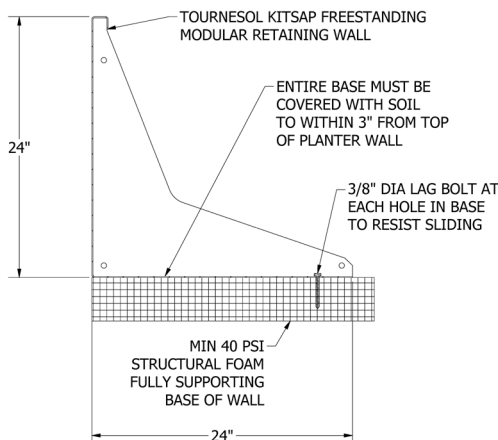
MOUNTING DETAIL FOR 18" TALL TOURNESOL KITSAP FREESTANDING WALL

- FOAM MUST BE LEVEL AND FLAT
- PER LINEAR FOOT LENGTH OF WALL
 - FOAM BY OTHERS



MOUNTING DETAIL FOR 24" TALL TOURNESOL KITSAP FREESTANDING WALL

- FOAM MUST BE LEVEL AND FLAT
- PER LINEAR FOOT LENGTH OF WALL
 - FOAM BY OTHERS



MOUNTING DETAIL FOR 36" TALL TOURNESOL KITSAP FREESTANDING WALL

- FOAM MUST BE LEVEL AND FLAT
- PER LINEAR FOOT LENGTH OF WALL
 - FOAM BY OTHERS

